

## Customer Service

For warranty, repairs or any missing parts, please contact **support@mbeat.com.au** before returning to the point of purchase.

For the purposes of warranty, please keep the product's original packaging, with all manuals, cables and accessories included.

You can register your purchase with the below link:  
**<https://www.mbeat.com.au/product-registration>**

 SUBSCRIBE TO MBEAT NEWSLETTER  
**[www.mbeat.com.au](http://www.mbeat.com.au)**

 LIKE & FOLLOW US ON SOCIAL MEDIA

 **mbeat\_australia**

 **mbeat**

 **mbeataustralia**

Disclaimer: mbeat and the mbeat logo are trademarks of Ultra Imagination Technology Pty Ltd. Images are for illustrative purposes only. Product specifications are subject to change without notice. mbeat is not liable for damages caused by improper use of this product.

# Welcome Guide

**Product Code: MB-STD-S6GRY**

---

For product FQA or missing parts, please contact:  
**support@mbeat.com.au**

Thank you for choosing this mbeat® product. Please read the instructions carefully before use. Store this manual in a safe place for future reference.

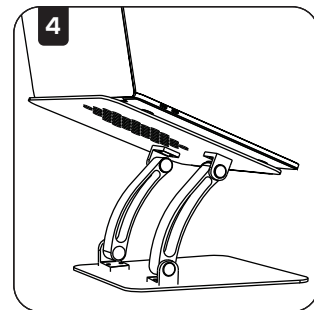
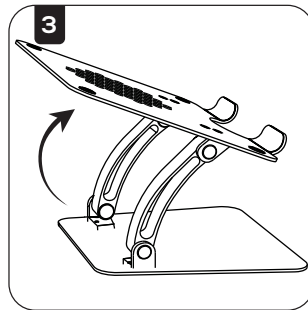
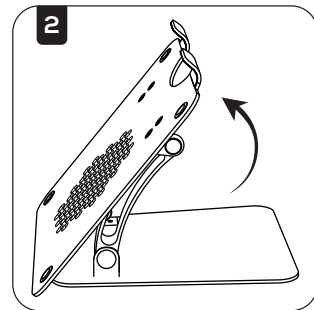
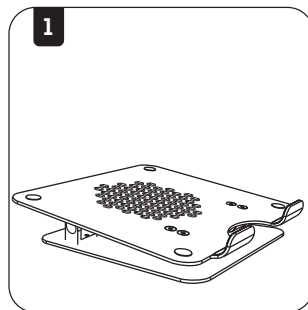
### Product Specifications

Material	Aluminium alloy
Elevated Height	Min. 6cm ~ Max. 27cm
Support Laptop Screen Size	11"~17"
Maximum Support Device Weight	20kg
Compatible Device List	Works with most of 11"~17" laptops including MacBook™
Product Dimensions	26cm × 25cm × 6cm (folded)
Product Weight	1.07kg

### Package Contents

Adjustable Elevated Laptop & MacBook Stand		
Manual	Silicone Pads	Spanner

### Operation



\* Operation required both hands.