

activiva

Metal Aroma Diffuser

USER MANUAL



ACA-AD-L1

NOTE: Please read this manual carefully before using the product, and retain this manual for future reference. Product designed for consumer and household application only. No user-serviceable parts inside; warranty void if opened by non-authorized personnel. For issues, warranty or missing parts, please contact support@mbeat.com.au before returning your purchase.

TROUBLESHOOTING INSTRUCTIONS

The diffuser is not misting/there is very little mist/intermittent misting:

- Make sure the power is connected.
- Make sure to keep water level below the MAX line.
- Make sure the mist outlet is aligned with the cover and not blocked.
- Water outlet blocked by oils; use water soluble oils or clean water outlet with a cotton swab.
- Too much oil in water; make sure to only use a few drops to prevent oil bubbles from forming, prohibiting water from diffusing.

IMPORTANT

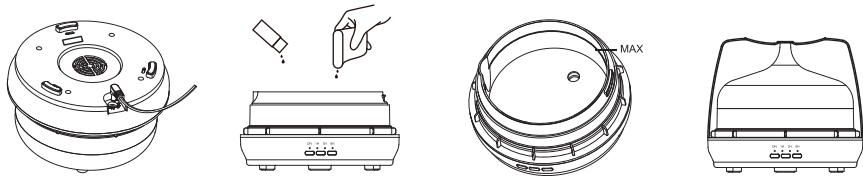
1. This product is for indoor use only; do not operate outdoors.
2. Always place unit on a smooth, flat, lint-free, non-metallic, waterproof and level surface.
3. Always have water in the diffuser when operating; do not operate without water.
4. Always use only clean, cool water to fill the base; do not use hot water.
5. Always unplug the diffuser when cleaning, moving the unit or when not in use.
6. Avoid operating the diffuser with wet hands to avoid electric shock.
7. Avoid moving the diffuser once it has been filled with water.
8. Avoid positioning the diffuser in direct sunlight.
9. Avoid positioning power cord on heated surfaces and areas of access to avoid tripping/trampling.
10. Do not leave the diffuser unattended while in operation.
11. Do not pour water into any openings other than the base.
12. Do not cover any openings on the unit or insert objects into any openings.
13. Do not aim mist directly at children, pets, walls, furniture or electrical appliances.
14. Do not operate the diffuser with a damaged cord or plug.
15. Do not operate the diffuser
16. Clean and maintain the diffuser regularly to ensure smooth operation.
17. Clean with water only; do not use detergents, solvents or abrasive agents for cleaning.
18. Do not tilt, tip or attempt to empty or fill the diffuser during operation.

For more FAQs and information, visit: <http://www.mbeat.com.au/support>

Email: support@mbeat.com.au

Product specifications subject to changes or modifications without prior notice.

INSTRUCTION



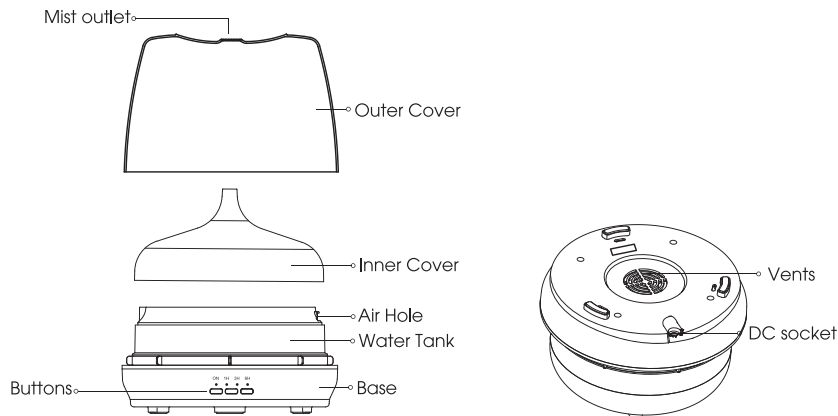
1. Connect power

2. Add water to the base, do not exceed MAX line (500 ml). Add a few drops of essential oil of your choice.*
*Oils not included, sold separately.

3. Close the top and replace the metal cover.

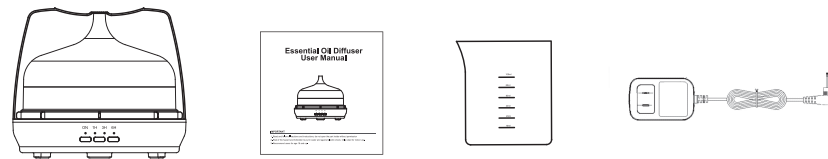
4. Press power button to start MIST. Press light button to start LIGHT

PARTS INTRODUCTION



When emptying diffuser, pour water away from air hole, Pouring on the wrong side may cause water to enter the air hole.

PACKAGE CONTENTS



Aroma Diffuser

User Manual

Measuring Cup

Adapter

SPECIFICATIONS

Material: Metal, ABS

Diffuser capacity: 500 ml

Color changing mode: 7 colour LED

Timer setting: 1H / 3H / 6H

Auto stop misting: Up to 15 hrs

Product dimensions: 18.1x18.1x15.7 cm

Product weight: 0.79 kg

FUNCTIONS

BUTTON	MODES
Power	Press to toggle misting.
Timer	3 timer settings: 1H / 3H / 6H
Light	Press once to activate colour cycle mode. Press again to lock-in 1 of 7 colours. Press and hold to turn off the light.

Note: Diffuser and light will shut off automatically when water runs out. The light can be turn on individually as nightlight