

Display Configuration

Windows™ supports MST or SST Mode

		HDMI 2.0 (1)	HDMI 1.4 (2)	DisplayPort 1.4
Single Display	MST/SST	4K/60Hz (3840x2160)	4K/30Hz (3840x2160)	4K/60Hz (3840x2160)
	Mirror	Same as Laptop Resolution	Same as Laptop Resolution	Same as Laptop Resolution
Dual Display	MST/SST	4K/30Hz (3840x2160)	1080p/60Hz (1920x1080)	-
	Mirror	Same as Laptop Resolution	Same as Laptop Resolution	-
	MST/SST	-	4K/30Hz (3840x2160)	1080p/60Hz (1920x1080)
	Mirror	-	Same as Laptop Resolution	Same as Laptop Resolution
Triple Display	MST/SST	4K/30Hz (3840x2160)	-	1080p/60Hz (1920x1080)
	Mirror	Same as Laptop Resolution	-	Same as Laptop Resolution

Mac™ OS supports SST Mode

		HDMI 2.0 (1)	HDMI 1.4 (2)	DisplayPort 1.4
Single Display	SST	4K/60Hz (3840x2160)	4K/30Hz (3840x2160)	4K/60Hz (3840x2160)
	Mirror	4K/60Hz (3840x2160)	4K/30Hz (3840x2160)	4K/60Hz (3840x2160)
Dual Display	SST	4K/30Hz (3840x2160)	4K/30Hz (3840x2160)	-
	Mirror	4K/30Hz (3840x2160)	4K/30Hz (3840x2160)	-
	SST	-	4K/30Hz (3840x2160)	4K/30Hz (3840x2160)
	Mirror	-	4K/30Hz (3840x2160)	4K/30Hz (3840x2160)
Triple Display	SST	4K/60Hz (3840x2160)	-	4K/60Hz (3840x2160)
	Mirror	4K/60Hz (3840x2160)	-	4K/60Hz (3840x2160)

* Product supports USB-C DP Alt-mode, Windows OS supports MST display, and Mac OS supports SST display in multiple screens. Macbook™ (2020) with M1 CPU currently only supports 1 external monitor display.

Product Care



Use original or certified cables.



Avoid overloading device.



Avoid exposure to liquids.



Avoid extreme temperatures.



Don not disassemble.

Customer Service

For warranty, repairs or any missing parts, please contact support@mbeat.com.au before returning to the point of purchase.

For the purposes of warranty, please keep the product's original packaging, with all manuals, cables and accessories included.

You can register your purchase with the below link:
<https://www.mbeat.com.au/product-registration>

✉ SUBSCRIBE TO MBEAT NEWSLETTER
www.mbeat.com.au

👍 LIKE & FOLLOW US ON SOCIAL MEDIA

📷 [mbeat_australia](#)

📘 [mbeat](#)

🐦 [mbeataustralia](#)



Product
Registration
QR Code



Welcome Guide

15-in-1 Triple Display USB-C Dock

Product Code: MB-UCD-X15

For product FOA or missing parts, please contact:
support@mbeat.com.au

All trademarks are property of their respective owners. mbeat and the mbeat logo are trademarks of Ultra Imagination Technology Pty Ltd. Images are for illustrative purpose only. All product, product specifications and data are subject to change without notice to improve. Product is made in China. mbeat takes no responsibility for damage to your device caused by incorrect use. © 2022 Ultra Imagination Technology Pty Ltd.

Thank you for choosing this mbeat® product. Please read the instructions carefully before use. Store this manual in a safe place for future reference.

Features

15-in-1 USB-C Dock - Instantly transform your USB-C laptop into a powerful and productive workstation.

Super Fast Data Transfer - With USB 3.1 Gen 2 (Type C and Type A) high-speed ports for transfer rates up to 10Gbps.

Triple Display - Three video ports (HDMI × 2 and DisplayPort × 1) allows for any display configuration.

Standard Premium Features - USB 3.0 × 3, USB 2.0 × 1, Gigabit LAN, SD/MicroSD card slots, Kensington lock slot.

Package Contents

USB-C Dock
100cm USB-C to USB-C Cable
Instruction Manual
Product Registration Card

Compatibility and Limitation:

- Product is compatible with Windows™ 7, 8, 10, 11 and Mac™ OS 10.12+
- Windows™ OS supports MST, Mac™ OS only supports SST in USB-C
- Display Alt mode, MacBook™ (2020) with M1 CPU currently only supports 1 external monitor display.
- Product does not include USB-C power supply.

Product Specifications

- **USB-C Host:** 1 × USB-C 3.1 Gen 2 full function port
- **HDMI (1):** 1 × HDMI 2.0 port, supports resolution up to 4K/60Hz
- **HDMI (2):** 1 × HDMI 1.4 port, supports resolution up to 4K/30Hz
- **DisplayPort:** 1 × DP 1.4 port, supports resolution up to 4K/60Hz
- **USB-C PD:** 1 × PD 3.0 port, supports Max. 20V/5A, 100W Charging
- **USB-C 3.1:** 1 × USB-C 3.1 Gen 2 port, supports 10Gbps data transfer, backward compatible with USB-C 3.1 Gen 1 / 3.0 / 2.0
- **USB 3.0:** 3 × USB 3.0 port, supports 5Gbps data, backward compatible with USB 2.0
- **USB 3.1:** 1 × USB 3.1 Gen 2 port, supports 10Gbps data transfer, backward compatible with USB 3.1 Gen 1 / 3.0 / 2.0
- **USB 2.0:** 1 × USB 2.0 port, supports 480Mbps data transfer
- **SD Card:** 1 × SD 4.0 slot, supports SDXC, SDHC, SD card
- **MicroSD Card:** 1 × MicroSD 3.0 slot, supports MicroSDXC, MicroSDHC, MicroSD card
- **Networking:** 1 × RJ45 port, supports Gigabit Ethernet up to 10/100/1000Mbps
- **Audio & Mic:** 1 × 3.5mm Jack, supports audio 192KHz/16bit and microphone input
- **Device Lock:** 1 × K-Slot, supports Kensington Lock

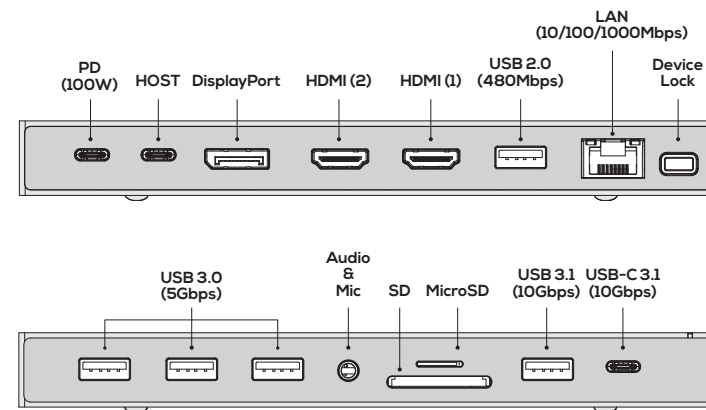
Product Specifications (Cont.)

Cable Length: 100cm

Product and Package

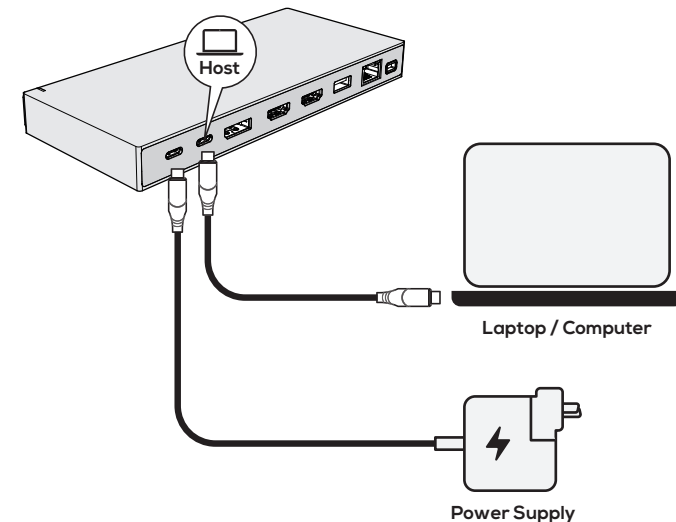
- **Product Dimension:** 18cm × 7.98cm × 1.9cm
- **Product Weight:** 0.31kg
- **Package Dimension:** 23.1cm × 12.5cm × 4.3cm
- **Package Weight:** 0.5kg

Product Interface



Operation

USB-C PD Charging via Power Supply.
Connect USB-C port to Host USB-C port.



- *Use original cable for safety purposes.
- *USB-C PD power supply is not included.