

Woodstock II

TURNTABLE USER MANUAL

Model: MB-TR96

Concerns, Missing Parts?

Please Contact Us at

support@mbeat.com.au

Before Returning to The Store.



Thank You.



Thank you for purchasing the
Woodstock II Turntable by mbeat.
If you have any questions or concerns,
please reach out to us at
support@mbeat.com.au
We hope you enjoy your new turntable.

Share the mbeat love.



Hashtag your mbeat turntable with
#mbeat #mbeatTurntable

f mbeat @ mbeat_australia t mbeataustralia

SUBSCRIBE TO MBEAT NEWSLETTER:
www.mbeat.com.au

Vinyl Forever Young.



Founded in Melbourne, Australia, mbeat
has continued to offer quality record
players to those who love music since 2009.
It is our mission to preserve the vinyl
culture for generations to come.

Tablet of Contents

Package Contents	2
Specifications	2
Safety Information	3
Product Overview	4
Operation	5
Stylus Replacement	7
Maintenance	8
Troubleshooting	8
Customer Support	9

Package Contents

Turntable x 1
45 RPM adapter x 1
Power adapter x 1
Manual x 1

Please contact mbeat customer service if there is any accessory missing from the package. Retain the original packing materials for exchange or return purpose.

Specifications

Input	DC 12V/500mA
Power	Max 10W
Speakers	3", 4Ω, 3W x 2
Speed	33, 45, 78 RPM
Functions	Play, Bluetooth receiver (RX), Bluetooth transmitter (TX)
Bluetooth	Ver. 4.2*
Needle	mbeat Stylus-01

If your Bluetooth version is higher than v. 4.2, it must be backward compatible with v. 4.2 in order to establish wireless connection with the turntable under TX/RX mode.

Design and specifications are subject to change without notice.

Read and Save These Instructions.

SAFETY INFORMATION

To reduce the risk of fire, electric shock, or other injury, follow all instructions and safety guidelines.

1. This product is for indoor use only. Do not use this product near water.
2. This product should be operated only by the type of power source indicated on the marking label or in this instruction manual.
3. Protect the power cord from being stepped on or pinched, particularly at the joints.
4. Do not overload wall outlets, extension cords, or integral convenience receptacles as this can result in a risk of fire or electric shock.
5. Never push objects of any kind into this product through openings as they may touch dangerous voltage points or short-out parts that could result in a fire or electric shock.
6. Never spill liquid of any kind onto the product.
7. Do not attempt to service this product yourself as opening or removing covers may expose you to dangerous voltage or other hazards. Refer all servicing to qualified personnel.
8. Changes or modifications to this unit not expressly approved by the party responsible for compliance could void the user's authority to operate the equipment.
9. Do not use attachments not recommended by the product manufacturer as they may cause hazards.
10. Unplug the product in the event of a lightning storm or when unused for long periods of time.

FCC Statements

This equipment has been tested and found to comply with the limits for a Class B digital device, pursuant to Part 15 of the FCC Rules. These limits are designed to provide reasonable protection against harmful interference in a residential installation.

This equipment generates, uses, and can radiate radio frequency energy and, if not installed and used in accordance with the instructions, may cause harmful interference to radio communications.

However, there is no guarantee that interference will not occur in a particular installation. If this equipment does cause harmful interference to radio or television reception, which can be determined by turning the equipment off and on, the user is encouraged to try to correct the interference by one or more of the following measures:

1. Reorient or relocate the receiving antenna.
2. Increase the separation between the equipment and receiver.
3. Connect the equipment into a circuit different from that to which the receiver is connected.
4. Consult the dealer or an experienced radio TV technician for help.

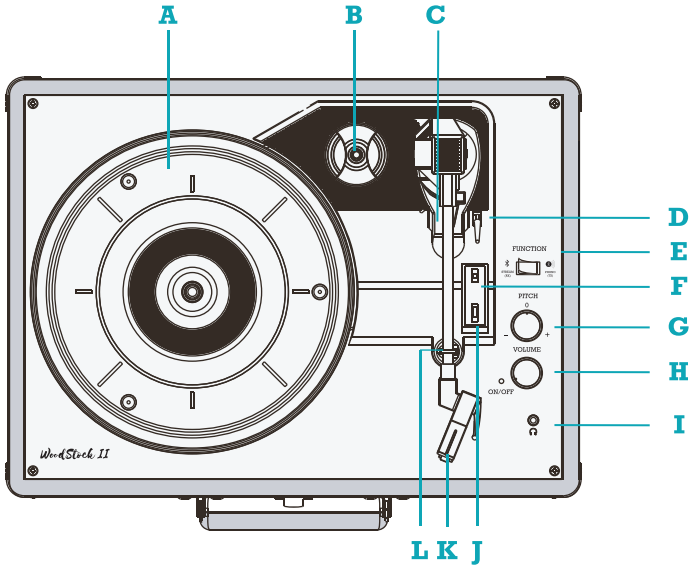


PRODUCT OVERVIEW

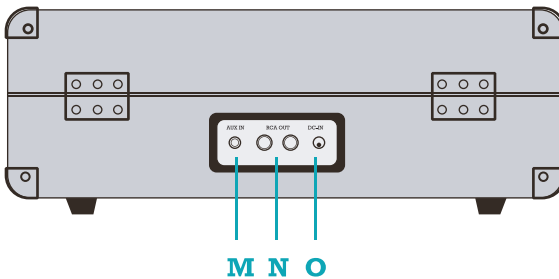
- A.** Turntable Platter
- B.** 45 RPM Adapter
- C.** Tonearm Rest
- D.** Tonearm Lift
- E.** Bluetooth RX/TX
(Receiver/Transmitter)

- F.** Auto-Stop Switch
- G.** Pitch Control
- H.** Power/Vol. Control
- I.** 3.5mm Aux-Out
- J.** RPM Speed Switch

- K.** Stylus
- L.** Tonearm Clip
- M.** 3.5mm Aux-In
- N.** RCA Output
- O.** DC Power In



(Top)



(Back)


OPERATION

Initial Set Up

1. Unpack and place the unit on a flat and level surface and free from vibration.
2. Remove the tie-wrap that is holding the tonearm.
3. Connect the DC adapter to the Power Jack of the unit.

Note: Do not plug the AC power adaptor to power outlet before the assembly is completed. Before turning the power on, make sure all the connection settings are correct. Always turn off the power first when connecting or disconnecting.

Turntable Mode

1. Set the **Function** to  **Phono (TX)**. Rotate the **Power/Vol. Control** to turn on the power.
2. Set the RMP Speed Switch to **33/45/78** speed accordingly.
3. Place the record on the turntable. Use the **45 RPM Adapter** if necessary.
4. Remove the stylus protector.

Note: To avoid stylus damage, make sure the included stylus guard is in place whenever the turntable is being moved or cleaned.

5. Release the **Tonearm Clip**.
Note: when the turntable is not in use, lock the tonearm with the tonearm clip.
6. Use the **Tonearm Lift** to raise the tonearm and gently move the tonearm over the record. Once the platter begins spinning, set the tonearm lift back to the down position, the tonearm will descend slowly onto the record and begin playing.
7. When the record is finished, use the tonearm lift again to raise the tonearm and then return it to the **Tonearm Rest**. Release the lift to lower the tonearm into the rest. To suspend playback, repeat the same steps.
8. Lock the tonearm clip to secure the tonearm.

Auto-Stop

If the **Auto Stop** switch is set to the On position, the platter will stop spinning automatically when the record plays to the end. In some cases, if the turntable stops playing before the end of the record, set the switch to Off position to finish playing.

Pitch Control

Using **Pitch Control** dial to adjust vinyl sound pitch for a customised sound experience.

Power/Vol. Control

The **Power/Vol. Control** is used to turn on/off the power of the turntable and also control the volume.

Bluetooth Receiver (RX) Mode

This turntable supports Bluetooth Receiver (RX) function to allow music streaming from your phone or tablet.

1. Set the **Function** to **Stream (RX)**, you will hear an activation sound from the unit. A blue LED will begin to flash, indicating the unit is searching for a Bluetooth signal.
2. Turn on the Bluetooth feature of your phone or tablet, search for the Bluetooth ID “**MB-TR96**” to pair.
3. Once your device is paired with the unit, you will hear a short confirmation sound from the unit. The blue LED should now remain solid.
4. Play and stream music from your device to the unit.

Bluetooth Transmitter (TX) Mode

This turntable supports Bluetooth Transmitter (TX) function to broadcast your vinyl through a compatible Bluetooth speaker or headphone.

1. Set the **Function** to the **Phono (TX)**, a blue LED will begin to flash, indicating the unit is searching for a Bluetooth device.
2. Place your Bluetooth speaker close to the turntable and set it to pairing mode.
3. Once your Bluetooth speaker is connected with the turntable, you will hear a short confirmation sound from the unit. The blue LED should now remain solid.
4. Now you are able to play your vinyl through your Bluetooth speaker.
5. When paired in **Phono (TX)** mode, the turntable will continue to output sound, which can be adjusted using the volume control. Changing the volume on the turntable will also change the volume on the paired speaker or headphone.
6. For optimal listening experience, you should adjust the volume directly on the connected device to desired levels.
7. The transmitter (TX) stops after 2 mins if no Bluetooth connection is detected or established.

Note: If your Bluetooth version is higher than v. 4.2, it must be backward compatible with v. 4.2 in order to establish wireless connection with the turntable under TX/RX mode.

OTHER FEATURES

RCA Output

1. The RCA jacks output analog line-level signals and connects directly with a pair of active/powered speakers or other stereo system.
2. The red plug connects to the right channel while the white plug connects to the left channel.

Note: The RCA jacks are not designed to be connected directly to passive/unpowered speakers. If connected to the passive speakers, the volume will be very low.

3.5mm Aux-In

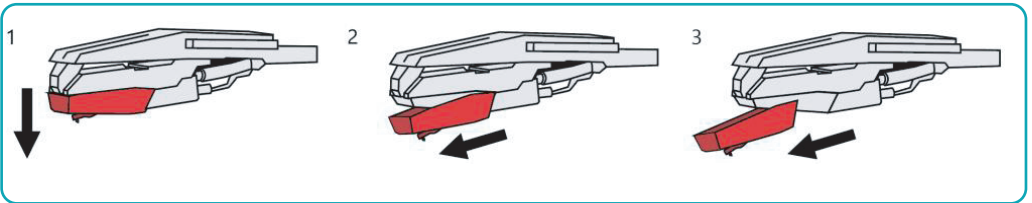
1. You can connect an audio device to this unit and play your music through its speakers.
2. To do this, connect the 3.5mm auxiliary cable between your audio device and the Aux In Jack of this unit to start playing the music.

Note: The aux in connection will automatically override the turntable function. To resume using the turntable, unplug the auxiliary cable from the aux in jack.

STYLUS REPLACEMENT

How to Remove

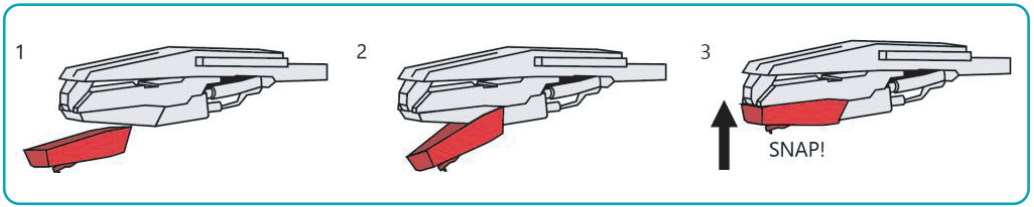
1. Gently pull down the front edge of the stylus.
2. Pull the stylus forward.
3. Pull out and remove.



How to Install

1. Position the stylus with its tip facing down.
2. Line up the back of the stylus with the cartridge.
3. Insert the stylus with its front end at a downward angle and gently lift the front of the stylus upward until it snaps into place.

How to Install (CONT.)



Purchase Replacement Stylus

The turntable stylus requires to be replaced regularly in every 3~4 months. You could order mbeat **SKU: STYLUS-01** from your turntable stockist or shop online at www.mbeat.com.au if you are not able to find one locally.

MAINTENANCE

1. Do not touch the stylus tip with your fingers. Avoid bumping the stylus on the record's edge.
2. Clean the stylus frequently with a soft brush with a back-to-front motion only.
3. Clean the records to get rid of dust or grease with a record cleaning brush and record cleaning solution.
4. Clean the turntable lid and housing with a slightly damp microfiber cloth.

Note: Do not use cleaning agents that contains alcohol, benzene or any other harsh chemicals, which may damage the finish of the turntable.

TROUBLE SHOOTING

No Power?

1. Check if the DC power adaptor is not connected correctly.
2. Check if there is power at the power outlet.
3. To help save power consumption, some models will comply with ERP energy saving standard. When there is no audio input for 20 minutes, their powers will automatically cut-off. To turn power back on and resume playing, turn off the power and turn it on again.

Power On, But The Turntable Platter is NOT spinning?

1. Turntable's drive belt has slipped off.
2. An aux in cable is plugged into the aux in jack, unplug it.

No Sound or Low Sound?

1. Stylus protector is still on or tonearm is lift up by the lift.
2. Headphone is plugged in.

Turntable Skipping?

1. Check stylus, the stylus required to be replaced every 3~4 months.
2. Replace your vinyl and test it again.
2. If problem still exist, please contact support@mbeat.com.au to solve.

Bluetooth Receiver is NOT Paired?

1. Check if your phone or tablet's Bluetooth function is ON.
2. Search the correct turntable player's Bluetooth ID to pair.
3. Unpair the Bluetooth ID from your phone /tablet, and restart the pairing process.

Bluetooth Transmitter is NOT Connected?

1. Check if your Bluetooth speaker is ON and close to the turntable.
2. Check your Bluetooth speaker's manufacturer specs to see if the Bluetooth version is backward compatible with v.4.2, some brands may not support lower version connection, please swap another Bluetooth speaker to retry.
3. Restart the Bluetooth transmitter and restart the Bluetooth speaker again.

If your problem is not listed, please contact [customer support](#).

CUSTOMER SUPPORT

If you encounter any issues or have any questions regarding your new product, feel free to contact our helpful Support Team. Your satisfaction is our goal!

Problems or Missing Parts

Please contact mbeat at: support@mbeat.com.au

Please have your order invoice/receipt ready before contacting our support team.



www.mbeat.com.au

Spinning Since 2009

Disclaimer: mbeat and the mbeat logo are trademarks of Ultra Imagination Technology Pty Ltd. Images are for illustrative purposes only. Product specifications are subject to change without notice. mbeat is not liable for damages caused by improper use of this product.