

Please contact: support@mbeat.com.au for all warranty support information & claims.

If you discover your product is defective within the specified warranty period, please contact Customer Support via support@mbeat.com.au with a copy of your invoice. DO NOT dispose of your product or packaging materials before contacting us. Make sure you obtain a **Return Merchandise Authority** number, or an **RMA** number from the Customer Support Team.

Once our Customer Support Team has approved your request, they will provide details on how to return the product for repairs or replacement. Please reference this RMA on the outer package for receiving. Items not labelled with RMA will be rejected on delivery. Please retain your tracking details in the event of a failed delivery.

Please ensure all returned products are; in its original packaging, in brand new condition, and with all manuals, cables and accessories included. Returned products that do not meet these conditions will not be eligible for an exchange. The packaging of returned products must not be missing or damaged in any way that may prevent its resale. Products should be returned in a shipping carton or other packaging so as to protect the branded product box. Do not write on or attach any shipping labels, stickers or sticky tape to the branded product box.

Products deemed faulty will either be repaired, replaced or refunded depending upon the nature of the fault. A shipping and inspection fee may be payable if no fault is found with your product. We will include an estimate of this fee in our correspondence with you.

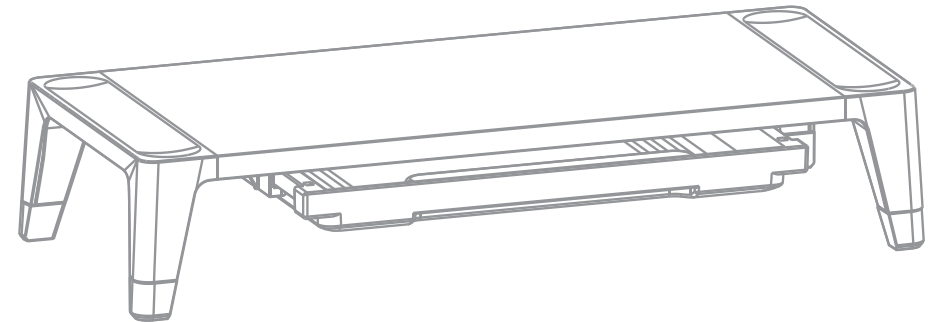
We endeavour to get to every claim as soon as possible, we thank you for your patience and understanding in advance.

Disclaimer: mbeat and the mbeat logo are trademarks of Ultra Imagination Technology Pty Ltd. All other trademarks, product names, logos, and brands are the properties of their respective owners. Product specifications are subject to change without notice. Images are for illustrative purposes only. Made in China. mbeat is not liable for damages caused by improper use of this product. © 2020 Ultra Imagination Technology Pty Ltd.

Powered by 

Monitor Stand Riser with Storage Drawer

Model: ACA-MSTD-02 Series



DO NOT RETURN TO STORE.

Questions or Concerns?

Please contact us at support@mbeat.com.au

 **SUBSCRIBE TO MBEAT NEWS LETTER**
www.mbeat.com.au

 **LIKE AND FOLLOW US ON SOCIAL MEDIA**

 [mbeat_australia](https://www.instagram.com/mbeat_australia)

 [mbeat](https://www.facebook.com/mbeat)

 [mbeataustralia](https://twitter.com/mbeataustralia)

Thank you for purchasing

MONITOR STAND RISER WITH STORAGE DRAWER

Thank you for purchasing this genuine, quality activiva product.

Before you begin, to avoid choking hazard, please remove and safely discard or store any internal packaging material, promotional labels and protective covers fitted on the product.

When unpacking, check to see you have received all components and accessories, and retain the bulky packaging for warranty returns purposes.

Please ensure the product is properly assembled or setup before use; follow the instructions provided in the manual.

We hope you enjoy your purchase as much as we did developing it.

If you have an issue with the product, warranty concerns, or other queries, please feel free to get in touch with our friendly customer support team at support@mbeat.com.au

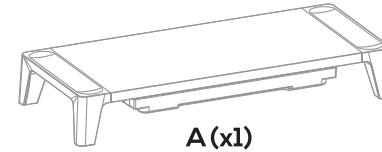
**PLEASE READ THE INSTRUCTIONS CAREFULLY BEFORE USE.
STORE THIS MANUAL IN A SAFE PLACE FOR FUTURE REFERENCE.**

Product Care

- Avoid placing product in direct sunlight.
- Avoid storing or using product in areas of high moisture or humidity.
- Avoid sharp or pointed objects on the surface of the product.
- Avoid using abrasive cleaning agents such as thinners or acetone as it can damage the surface.

⚠️ MAXIMUM SURFACE WEIGHT CAPACITY: 20KG

Product Components



A (x1)



B (x2)



C (x2)

***Ensure all components are in the box before installation.**

Installation

