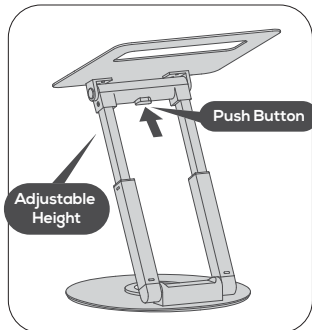
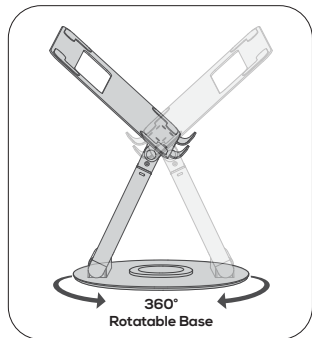


Operation



3. _____
Press and hold the push-button and lift to adjust the extendable arms to your ideal height.



4. _____
Press the base firmly and push clockwise or counterclockwise to your ideal position.

Customer Service

For warranty, repairs or any missing parts, please contact support@mbeat.com.au before returning to the point of purchase.

For the purposes of warranty, please keep the product's original packaging, with all manuals, cables and accessories included.

You can register your purchase with the below link:
<https://www.mbeat.com.au/product-registration>

✉ SUBSCRIBE TO MBEAT NEWSLETTER
www.mbeat.com.au

👍 LIKE & FOLLOW US ON SOCIAL MEDIA

📷 [mbeat_australia](https://www.instagram.com/mbeat_australia)

f [mbeat](https://www.facebook.com/mbeat)

🐦 [mbeataustralia](https://www.twitter.com/mbeataustralia)



Product
Registration
QR Code

Disclaimer: mbeat and the mbeat logo are trademarks of Ultra Imagination Technology Pty Ltd. All other trademarks, product names, logos, and brands are the properties of their respective owners. Product specifications are subject to change without notice. Images are for illustrative purposes only. Made in China. mbeat is not liable for damages caused by improper use of this product. © 2021 Ultra Imagination Technology Pty Ltd.



Welcome Guide

Stage S9
360 Degrees Rotating Laptop Stand with
Telescopic Height Adjustment

Product Code: MB-STD-S9GRY

For product FAQ or missing parts, please contact:
support@mbeat.com.au

Thank you for choosing this mbeat® product. Please read the instructions carefully before use. Store this manual in a safe place for future reference.

Features

Ergonomic Laptop Stand

Ergonomic adjustable laptop stand to reduce neck and eye strain for work and study.

Sit-Stand Design

Achieve optimal view angles and swap between sitting and standing with a one-hand operation lift-handle.

360-degree Rotation

Spin your laptop around in presentations or access side and back panels quickly.

Sleek and Durable

Anodised aluminium alloy with double hinge Z-fold design and extra wide base for stability.

Universal Compatibility

Up to 20kg capacity, suitable for 10"~17" tablets and laptops.

Product Specifications

Material	Aluminium Alloy
Elevated Height	6.6cm ~ 53cm
Device Screen Size	10" ~ 17"
Device Weight	Max. 20kg
Rotation Angles	360°
Device Compatibility	Tablet, Laptop and MacBook up to 17"

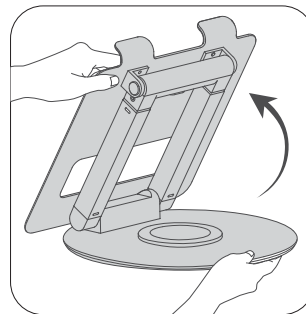
Product and Package

Product Dimension	27cm × 26cm × 6.6cm
Product Weight	1.7kg
Package Dimension	26.4cm × 27.6cm × 6.6cm
Package Weight	1.77kg

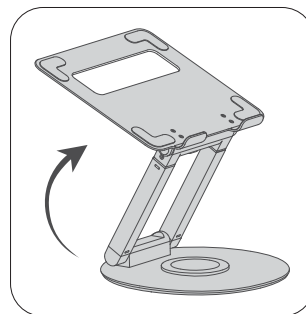
Product and Package

S9 Laptop Stand	Product Registration Card
Instruction Manual	

Operation



1. Hold the base with one hand, and lift the hook-shaped side to your desired angle with the other.



2. Adjust the other side to get your ideal laptop view angle.